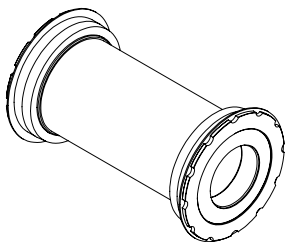




BB386 Road TO SHIMANO TWIST-FIT BB System

TRiPEAK Product NO.
EMA-38624-SH★TF12

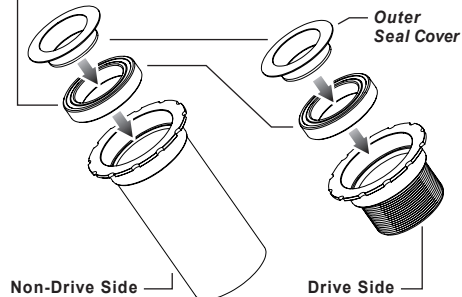


Bearing Options

- ★ SB (Steel Bearing) / ★ CB (Ceramic Bearing)
- Bearing Size : 25 X 37 X 7mm (6805-2RS)

Replacement Bearing set

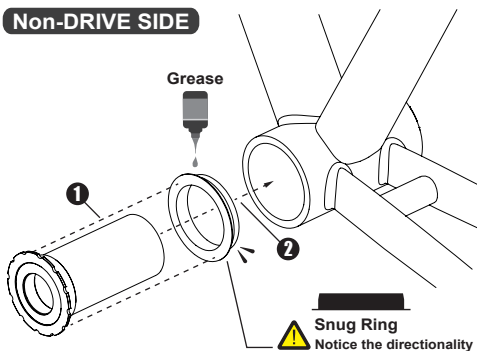
TRiPEAK item NO. SB : EMA-HP6805-2RS / CB : EMA-JC6805-2RS



Step 1

PRESS IN

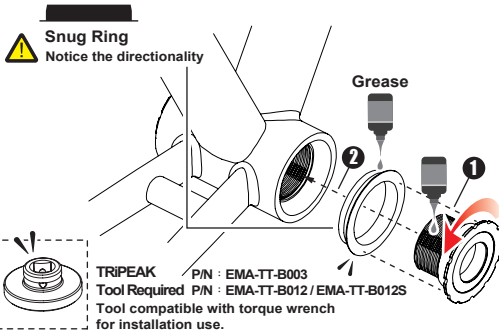
Non-DRIVE SIDE



Step 2

TWIST-LOCK

DRIVE SIDE Cup set lock to 30Nm

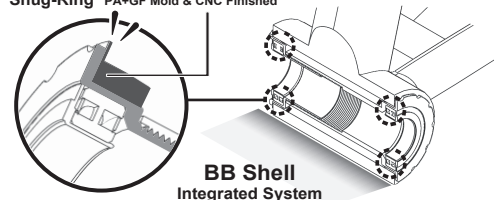


TRIPEAK P/N : EMA-TT-B003
Tool Required P/N : EMA-TT-B012 / EMA-TT-B012S
Tool compatible with torque wrench for installation use.

⚠ NOTICE

- To install TRIPEAK Bottom Bracket, we strongly recommend that you have a trained bicycle mechanic at your local bike shop.
- Do not alter this product in any way as it can cause unseen damage. Any modifications to this product will void the warranty.
- Make sure with the crankset are firmly attached to the bottom bracket. Improperly attached cranks can become detached from the BB set.
- When cleaning the bottom bracket set, only use mild soap and water. Never spray with high-pressure water. It will cause BB cup internal water ingress and influencing the bearing rolling lifetime.
- If you have any questions or concerns about this product Please feel free to contact us. E-mail: info@tripeakbearing.com

Snug-Ring PA+GF Mold & CNC Finished



Installed-Width

